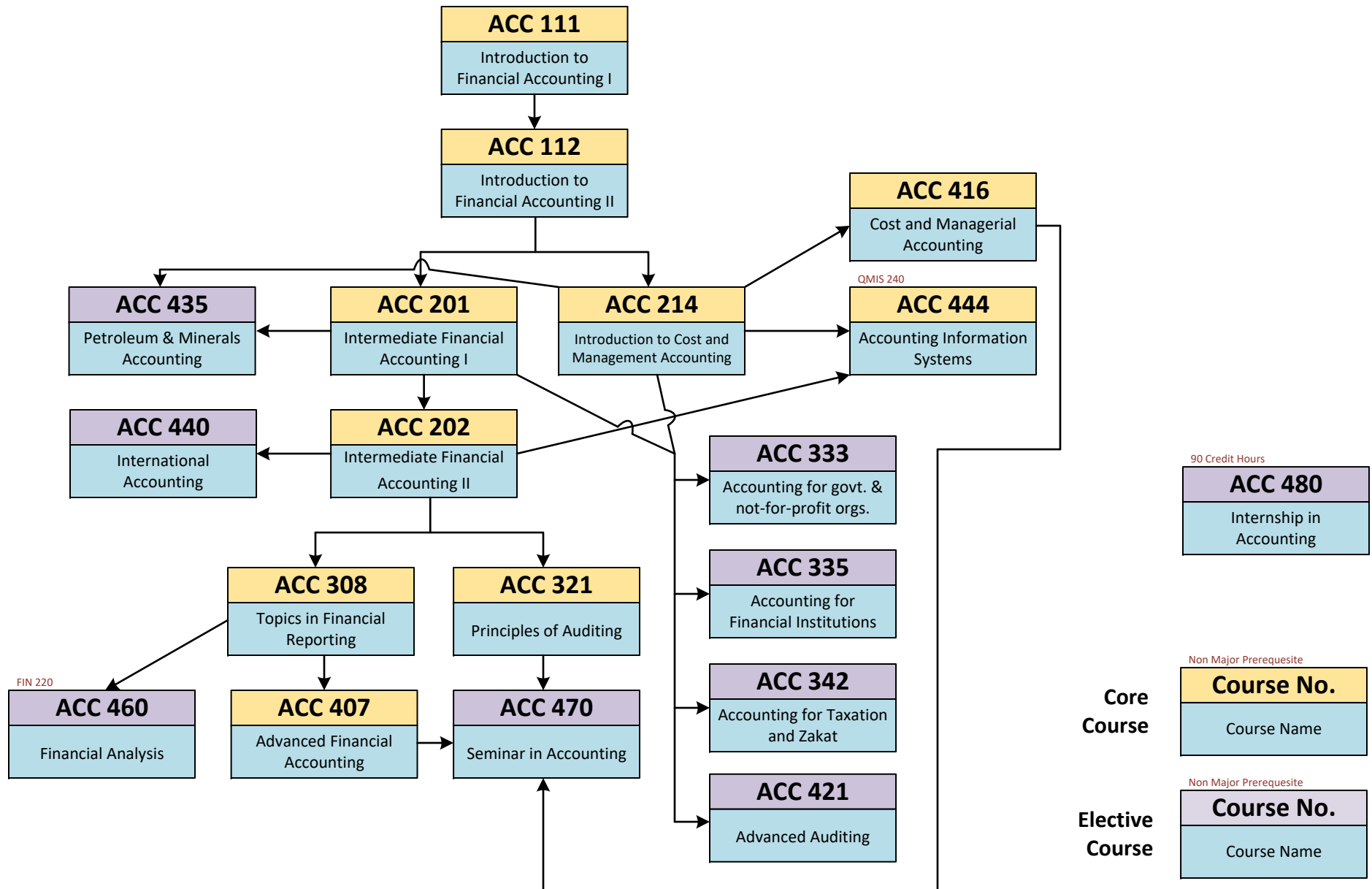


Major Curriculum

College of Business Administration
Kuwait University

Accounting

Fall 2016



Core Course
Elective Course

90 Credit Hours

ACC 480
Internship in Accounting

Non Major Prerequisite

Course No.
Course Name

Non Major Prerequisite

Course No.
Course Name